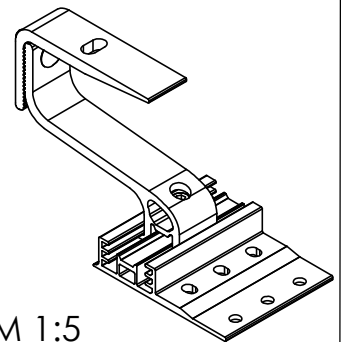
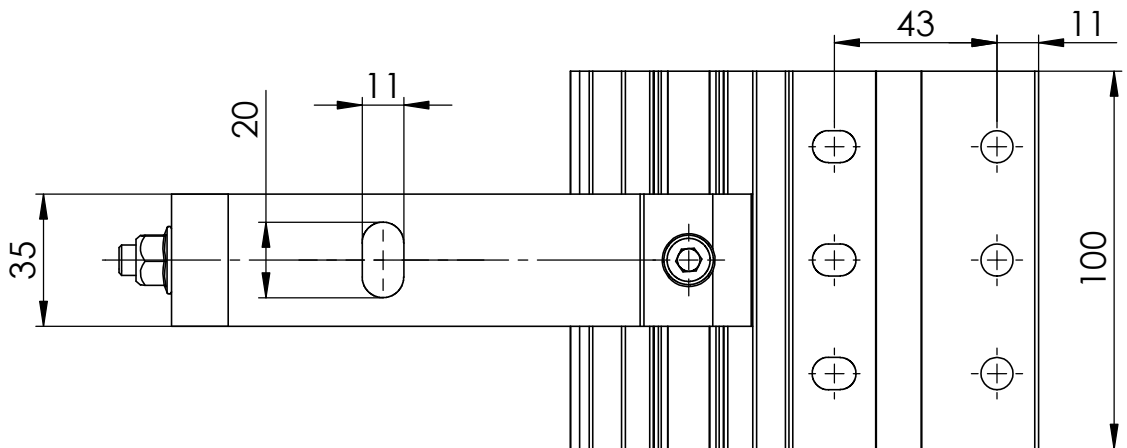
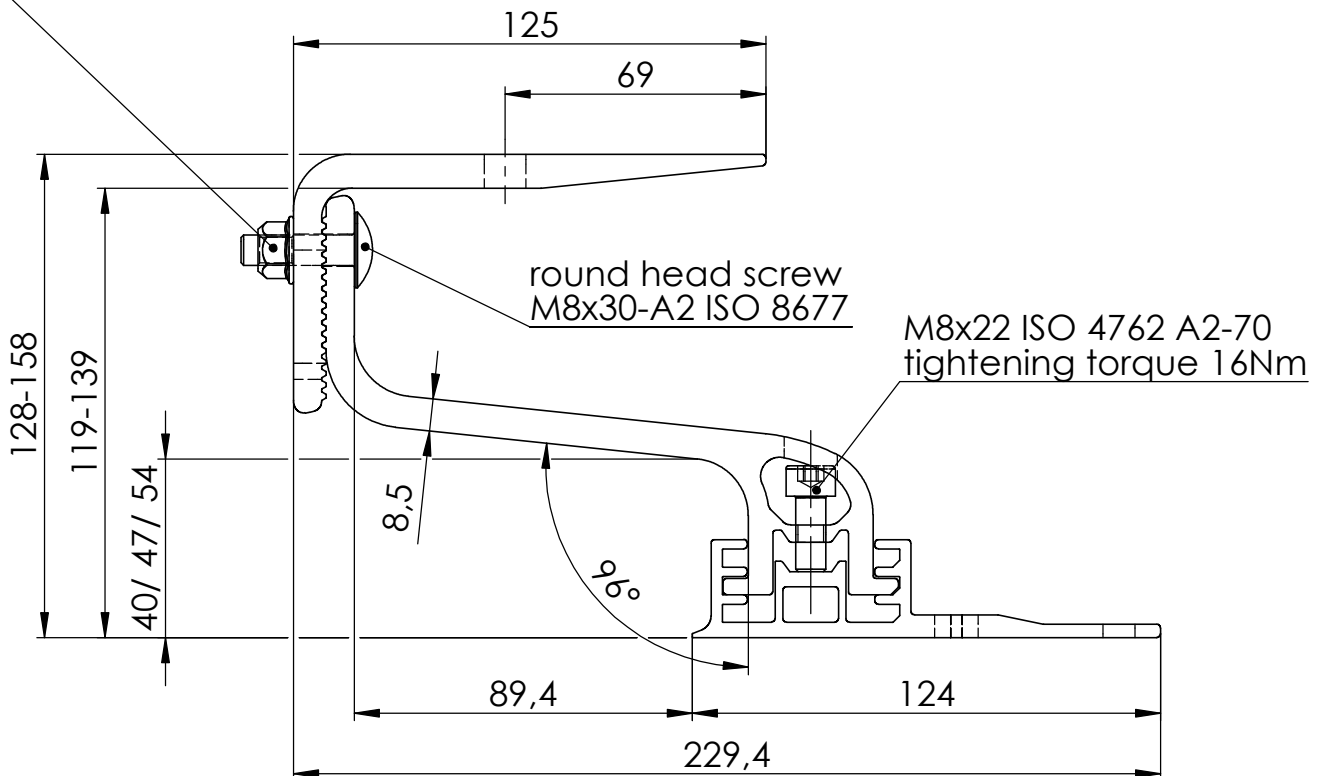


hexagonal nut with interlocking gearing  
 M8-A2 similar to ISO 4161  
 tightening torque 16Nm



M 1:5



K2 Systems GmbH  
 Industriestr. 18  
 71272 Renningen  
 07159/42059-0

Designation:

Data sheet  
 DH CrossHook 4S<sup>+</sup>

Name	Date	Material:	Item no.:	A4
Designed M.Preiß	05.07.2016	Aluminium / Edelstahl A2	2002402	
Approved M. Wiggers	06.07.2016	Surface: mill finish	Drawing no.: 02-215-001	All dimensions in mm
Last change		Weight: ca. 550g/Stck	Tolerance ISO 8015	General tolerances DIN ISO 2768mK
		Scale: 1:2 (1:5)		Sheet 1 of 1

This drawing is the sole property of K2 Systems GmbH. It is protected by copyright and may only be copied, reproduced or distributed to a third party with explicit permission!