

1 2 3 4

A

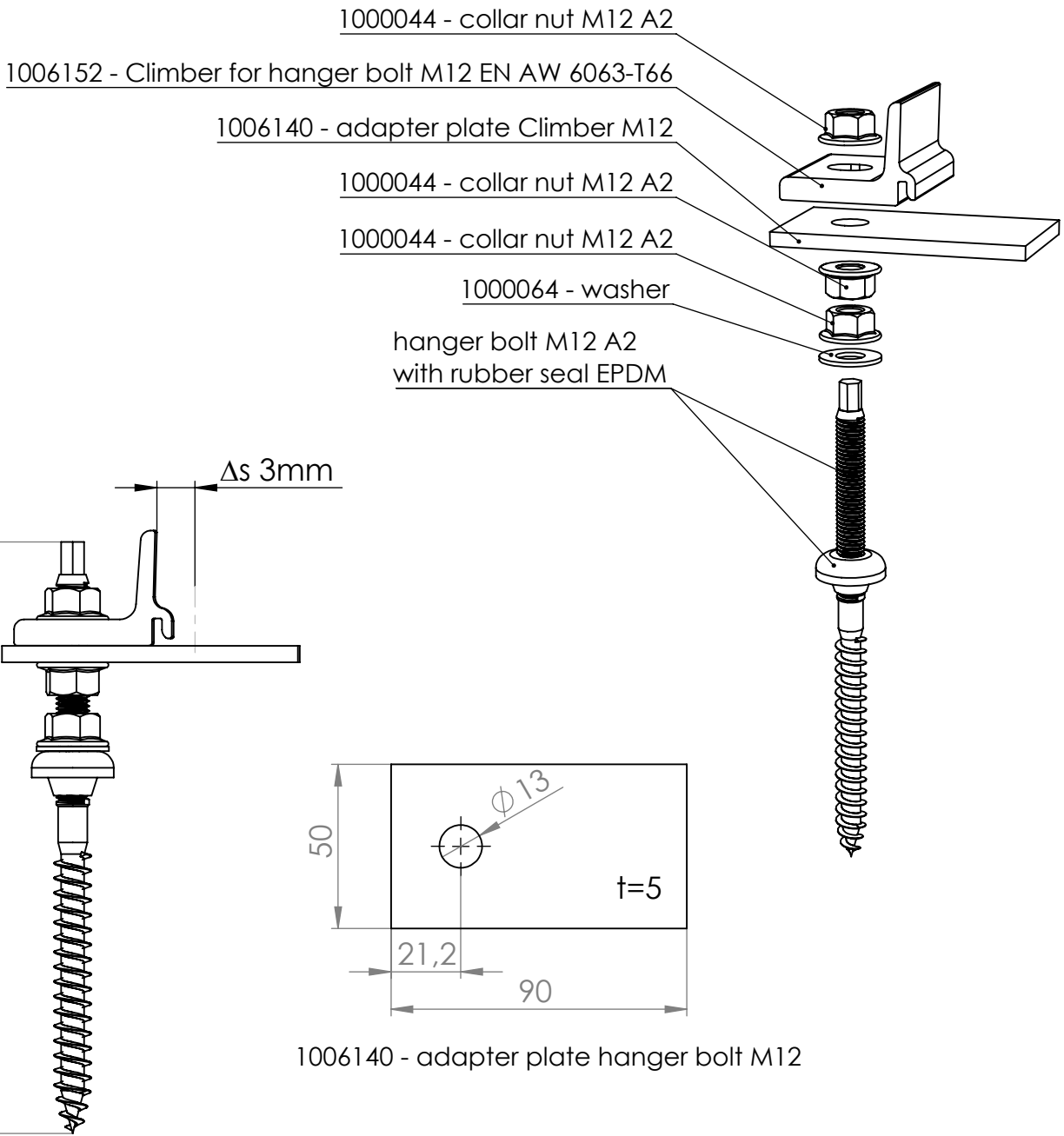
B

C


D

E

F



Item no.:	Description	Weight [kg/pcs]	L [mm]
1006169	K2 SingleRail hanger bolt Climber Set M12x200 (hanger bolt Art.: 2000373)	ca. 0,32	200
1006170	K2 SingleRail hanger bolt Climber Set M12x250 (hanger bolt Art.: 2000374)	ca. 0,36	250
1006171	K2 SingleRail hanger bolt Climber Set M12x300 (hanger bolt Art.: 2000375)	ca. 0,39	300

 <p>K2 Systems GmbH Industriestr. 18 71272 Renningen 07159/42059-0</p>	Designation: <b>Data sheet</b> <b>K2 SingleRail hanger bolt Climber Set M12</b>	
	Name: M.Wiggers Date: 18.04.2012 Material: EN AW 6063 T66 / stainless steel/EPDM	Item no.: <b>see table</b>
Approved: V.Schütz Date: 20.04.2012 Surface:	Drawing no.: 04-026-03	All dimensions in mm
Last change: B.Benzinger Date: 15.11.2019 Weight: see table Scale: 1:2	Sheet 1 of 1	

This drawing is the sole property of K2 Systems GmbH. It is protected by copyright and may only be copied, reproduced or distributed to a third party with explicit permission!